

# ZF 5HP19 (BMW) Transmission Code: 1060 000 xxx

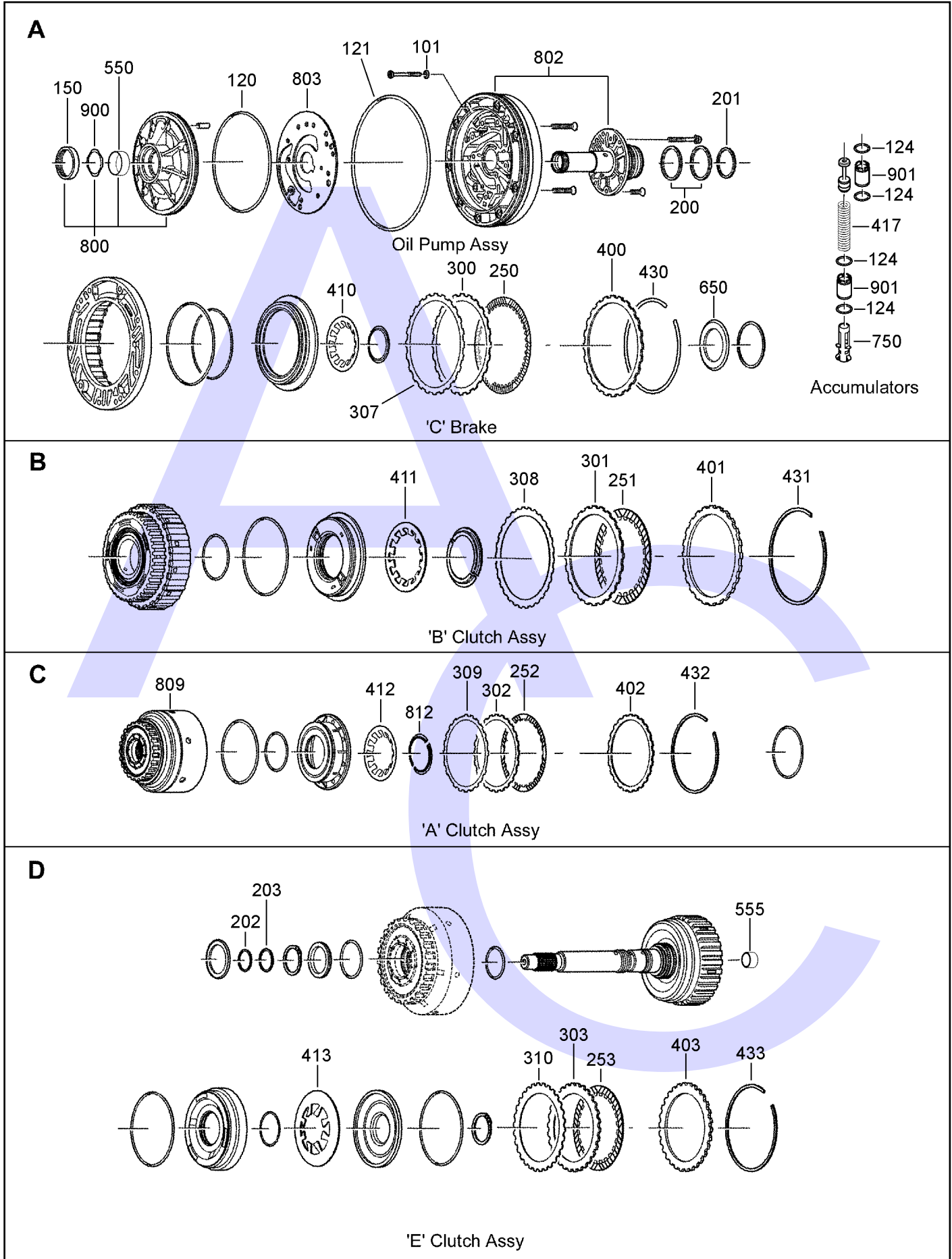
## 5 SPEED RWD (Full Electronic Control)



AUTOMATIC CHOICE



THE AUTOMATIC TRANSMISSION PARTS WAREHOUSE



# ZF 5HP19 (BMW) Transmission Code: 1060 000 xxx

## 5 SPEED RWD (Full Electronic Control)

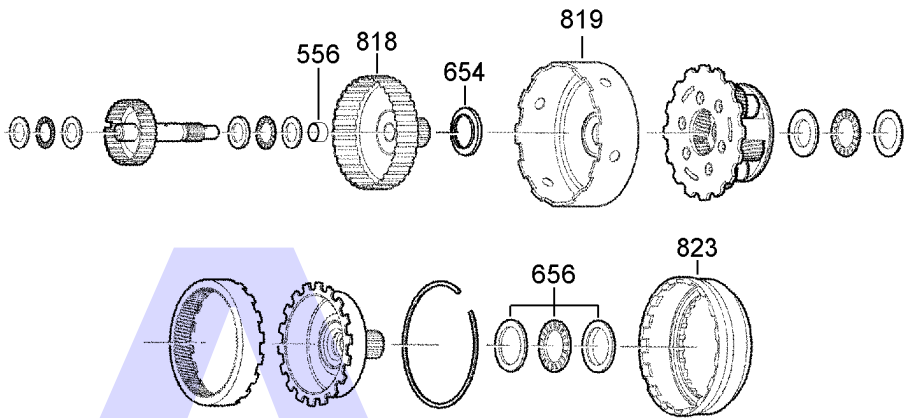


AUTOMATIC CHOICE



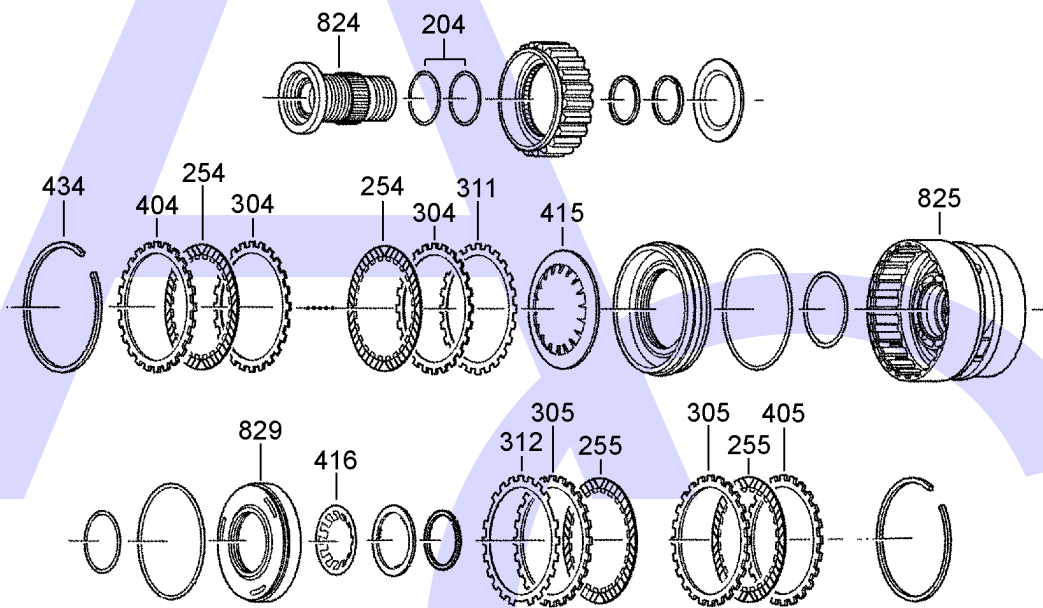
THE AUTOMATIC TRANSMISSION PARTS WAREHOUSE

**E**



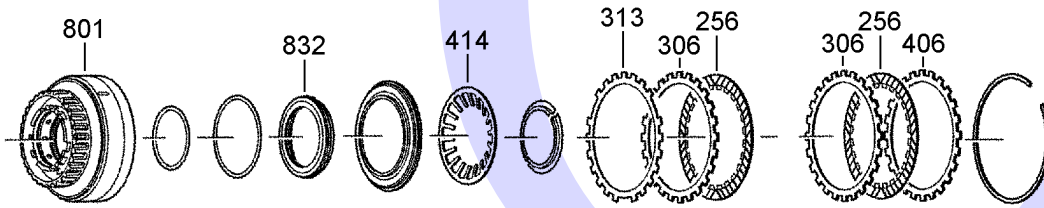
Front Planetary Assy

**F**



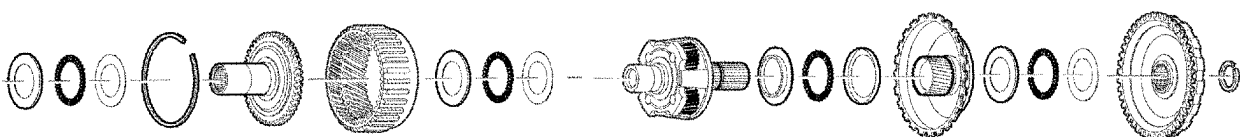
'D' & 'G' Brake Assy

**G**



'F' Clutch Assy

**H**



Rear Planetary Assy

# ZF 5HP19 (BMW) Transmission Code: 1060 000 xxx

## 5 SPEED RWD (Full Electronic Control)

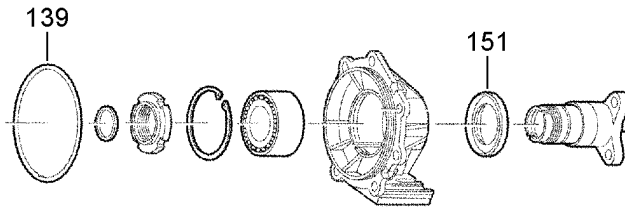


AUTOMATIC CHOICE



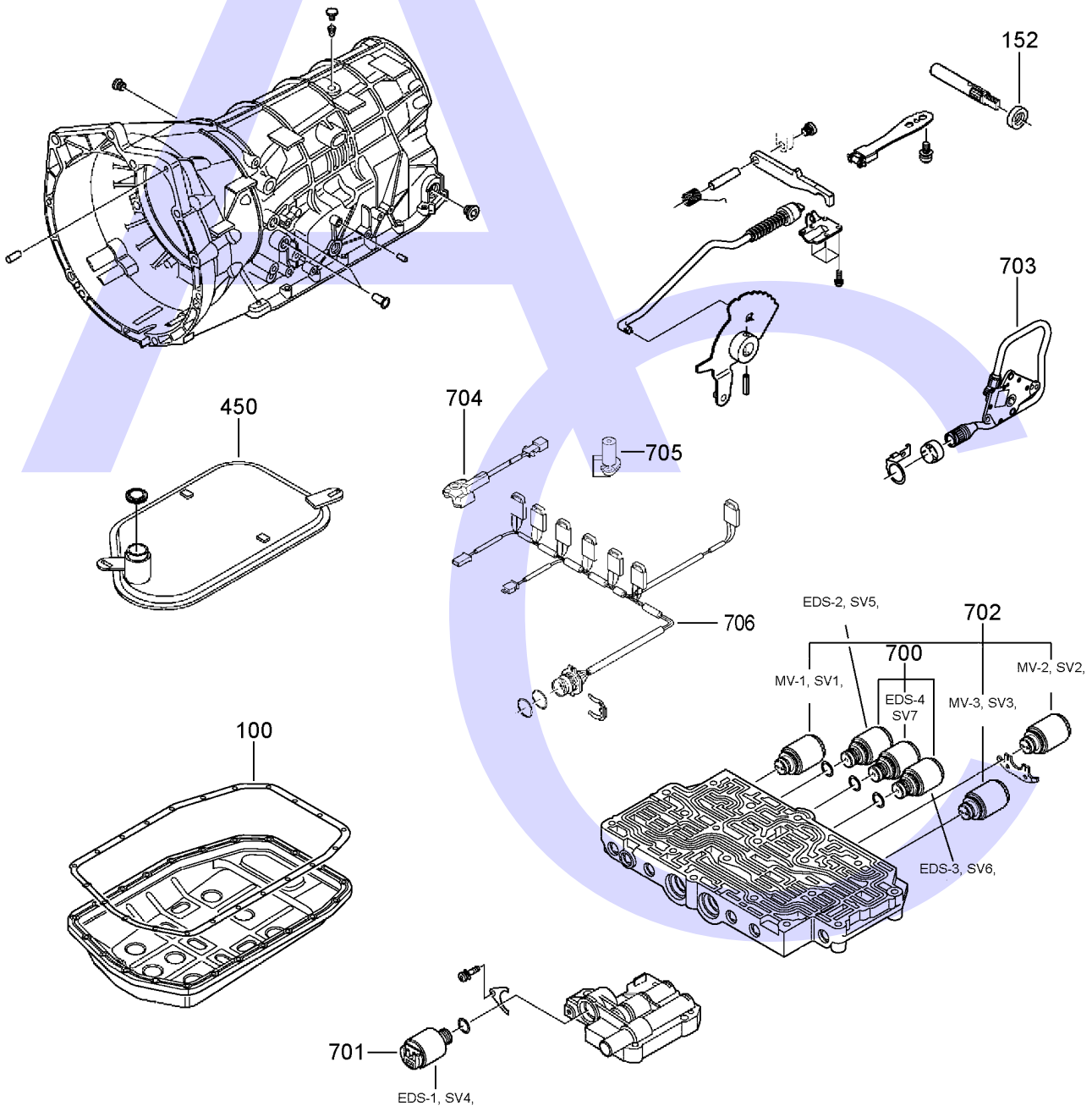
THE AUTOMATIC TRANSMISSION PARTS WAREHOUSE

J



Output Flange Assy

K



# ZF 5HP19 (BMW) Transmission Code: 1060 000 xxx

## 5 SPEED RWD (Full Electronic Control)



AUTOMATIC CHOICE



THE AUTOMATIC TRANSMISSION PARTS WAREHOUSE

ILL NO.	DESCRIPTION	YEARS	QTY	PART NO
<b>KITS</b>				
Kit	Overhaul Kit BMW (OEM).....	All	1	5HP19.OHK01
<b>GASKETS</b>				
100K	Pan Gasket.....	All	1	5HP19.GAS01
101A	Pump Bolt Sealing Washer.....	All	9	5HP18.GAS04
NI	Valve Body Gasket.....	All	1	5HP19.GAS02
<b>RUBBER COMPONENTS</b>				
120A	Pump to Stator 'O' Ring.....	All	1	5HP19.OR01
121A	Stator to Case 'O' Ring.....	All	1	5HP18.OR02
124A	'O' Ring, Accumulator Piston ....	All	4	5HP19.OR05
139J	'O' Ring, Extension to Case.....	All	1	6HP26.OR01
<b>METAL CLAD SEALS</b>				
150A	Converter Seal.....	All	1	4HP18.MCS01
151J	Extension Seal (52mm x 68mm x 6mm).....	All	1	5HP19.MCS02
152K	Selector Shaft Seal (10mm x 18mm x 5mm).....	All	1	3HP22.MCS03
<b>MOULDED PISTONS</b>				
<b>SEALING RINGS</b>				
200A	Stator Support (Large).....	All	2	5HP19.SSR01
201A	Stator Support (Small).....	All	1	5HP19.SSR02
202D	Input Shaft Front (Small).....	All	1	5HP19.SSR03
203D	Input Shaft Rear (Large).....	All	1	5HP18.SSR04
204F	'D'/'G' Carrier.....	All	2	5HP18.SSR06
<b>FRICION PLATES</b>				
Kit	Friction Kit.....	All	1	5HP19.FRK01
Kit	Friction Kit (Alto).....	All	1	5HP19.FRK51
250A	Friction Plate 'C' Brake.....	All	3-4	5HP19.FRP02
250A	Friction Plate 'C' Brake (Alto)....	All	3-4	5HP19.FRP53
251B	Friction Plate 'B' Clutch.....	All	2	5HP19.FRP01
251B	Friction Plate 'B' Clutch (Alto) ...	All	2	5HP19.FRP52
252C	Friction Plate 'A' Clutch.....	All	4-5	5HP19.FRP03
252C	Friction Plate 'A' Clutch (Alto) ...	All	4-5	5HP19.FRP51
253D	Friction Plate 'E' Clutch.....	All	4-5	5HP19.FRP04
253D	Friction Plate 'E' Clutch (Alto) ...	All	4-5	5HP19.FRP54
254F	Friction Plate 'D' Brake.....	All	5-6	4HP18.FRP02
254F	Friction Plate 'D' Brake (Alto)....	All	5-6	5HP19.FRP51
255F	Friction Plate 'G' Brake.....	All	3-4	5HP19.FRP05
255F	Friction Plate 'G' Brake (Alto)....	All	3-4	5HP19.FRP55
256G	Friction Plate 'F' Clutch.....	All	4-5	5HP19.FRP05
256G	Friction Plate 'F' Clutch (Alto) ...	All	4-5	5HP19.FRP55
<b>STEEL PLATES</b>				
Kit	Steel Plate Kit.....	All	1	5HP19.STK01
300A	'C' Brake Codes (1060 000 004, 005, 006, 008, 009, 011).....	All	3	5HP19.STP01
300A	'C' Brake Codes (1060 000 007 & 1060 000 010).....	All	4	4HP20.PP06
301B	'B' Clutch.....	All	2	5HP19.STP04
302C	'A' Clutch.....	All	4-5	5HP19.STP02
303D	'E' Clutch.....	All	4-5	5HP19.STP05
304F	'D' Brake.....	All	5-6	5HP19.STP02
305F	'G' Brake.....	All	3-4	5HP19.STP07
306G	'F' Clutch.....	All	4-5	5HP19.STP03

ILL NO.	DESCRIPTION	YEARS	QTY	PART NO
<b>STEEL PLATES Cont...</b>				
307A	'C' Brake Waved Steel.....	All	1	5HP19.STP10
308B	'B' Clutch Waved Steel.....	All	1	5HP19.STP11
309C	'A' Clutch Waved Steel.....	All	1	4HP18.STP03
310D	'E' Clutch Waved Steel.....	All	1	5HP19.STP13
311F	'D' Brake Waved Steel.....	All	1	5HP19.STP15
312F	'G' Brake Waved Steel.....	All	1	5HP19.STP14
313G	'F' Clutch Waved Steel.....	All	1	5HP19.STP14
<b>PRESSURE PLATES</b>				
400A	Pressure Plate 'C' Brake (4.00mm).....	All	1	5HP19.PP01
401B	Pressure Plate 'B' Clutch.....	All	1	5HP19.PP02
402C	Pressure Plate 'A' Clutch.....	All	1	5HP19.PP03
403D	Pressure Plate 'E' Clutch.....	All	1	5HP19.PP04
404F	Pressure Plate 'D' Brake.....	All	1	5HP19.PP03
405F	Pressure Plate 'G' Brake.....	All	1	5HP19.PP06
406G	Pressure Plate 'F' Brake.....	All	1	5HP19.STP03
<b>SPRINGS &amp; CIRCLIPS</b>				
410A	Diaphragm Spring 'C' Brake.....	All	1	5HP19.DIA01
411B	Diaphragm Spring 'B' Clutch.....	All	1	5HP19.DIA02
412C	Diaphragm Spring 'A' Clutch.....	All	1	5HP19.DIA03
413D	Diaphragm Spring 'E' Clutch.....	All	1	5HP19.DIA04
414G	Diaphragm Spring 'F' Clutch.....	All	1	5HP19.DIA05
415F	Diaphragm Spring 'D' Brake.....	All	1	5HP19.DIA06
416F	Diaphragm Spring 'G' Brake.....	All	1	5HP19.DIA07
417A	Spring, Accumulator in Stator... All		1	5HP19.SPR01
430A	Circlip - 'C' Brake Retaining (2.80mm)		AR	5HP19.CIR01
430A	Circlip - 'C' Brake Retaining (2.60mm)		AR	5HP19.CIR02
430A	Circlip - 'C' Brake Retaining (2.40mm)		AR	5HP19.CIR03
430A	Circlip - 'C' Brake Retaining (2.20mm)		AR	5HP19.CIR04
430A	Circlip - 'C' Brake Retaining (2.00mm)		AR	5HP19.CIR05
430A	Circlip - 'C' Brake Retaining (1.80mm)		AR	5HP19.CIR06
430A	Circlip - 'C' Brake Retaining (1.60mm)		AR	5HP19.CIR07
430A	Circlip - 'C' Brake Retaining (1.40mm)		AR	5HP19.CIR08
431B	Circlip - 'B' Clutch Retaining (2.00mm)		AR	5HP19.CIR09
431B	Circlip - 'B' Clutch Retaining (1.80mm)		AR	5HP19.CIR10
431B	Circlip - 'B' Clutch Retaining (1.60mm)		AR	5HP19.CIR11
431B	Circlip - 'B' Clutch Retaining (1.40mm)		AR	5HP19.CIR12
431B	Circlip - 'B' Clutch Retaining (1.20mm)		AR	5HP19.CIR13
431B	Circlip - 'B' Clutch Retaining (1.00mm)		AR	5HP19.CIR14
432C	Circlip - 'A' Clutch Retaining (2.80mm)		AR	5HP19.CIR15
432C	Circlip - 'A' Clutch Retaining (2.60mm)		AR	5HP19.CIR16
432C	Circlip - 'A' Clutch Retaining (2.40mm)		AR	5HP19.CIR17
432C	Circlip - 'A' Clutch Retaining (2.20mm)		AR	5HP19.CIR18
432C	Circlip - 'A' Clutch Retaining (2.00mm)		AR	5HP19.CIR19
432C	Circlip - 'A' Clutch Retaining (1.80mm)		AR	5HP19.CIR20
432C	Circlip - 'A' Clutch Retaining (1.60mm)		AR	5HP19.CIR21
432C	Circlip - 'A' Clutch Retaining (1.40mm)		AR	5HP19.CIR22
432C	Circlip - 'A' Clutch Retaining (1.20mm)		AR	5HP19.CIR23
432C	Circlip - 'A' Clutch Retaining (1.00mm)		AR	5HP19.CIR24
433D	Circlip - 'E' Clutch Retaining (2.80mm)		AR	5HP19.CIR25
433D	Circlip - 'E' Clutch Retaining (2.60mm)		AR	5HP19.CIR26
433D	Circlip - 'E' Clutch Retaining (2.40mm)		AR	5HP19.CIR27
433D	Circlip - 'E' Clutch Retaining (2.20mm)		AR	5HP19.CIR28
433D	Circlip - 'E' Clutch Retaining (2.00mm)		AR	5HP19.CIR29
433D	Circlip - 'E' Clutch Retaining (1.80mm)		AR	5HP19.CIR30
433D	Circlip - 'E' Clutch Retaining (1.60mm)		AR	5HP19.CIR31
433D	Circlip - 'E' Clutch Retaining (1.50mm)		AR	5HP19.CIR32
433D	Circlip - 'E' Clutch Retaining (1.40mm)		AR	5HP19.CIR33
433D	Circlip - 'E' Clutch Retaining (1.20mm)		AR	5HP19.CIR34
433D	Circlip - 'E' Clutch Retaining (1.00mm)		AR	5HP19.CIR35
434F	Circlip - 'D' Brake Retaining (4.20mm)		AR	5HP19.CIR36
434F	Circlip - 'D' Brake Retaining (4.00mm)		AR	5HP19.CIR37

# ZF 5HP19 (BMW) Transmission Code: 1060 000 xxx

## 5 SPEED RWD (Full Electronic Control)



AUTOMATIC CHOICE

ILL NO.	DESCRIPTION	YEARS	QTY	PART NO
<b>FILTERS</b>				
450K	Pan Filter	All	1	<b>5HP19.FIL01</b>
450K	Pan Filter (OEM)	All	1	<b>5HP19.FIL10</b>
NI	Valve Body Oil Screen	All	1	<b>5HP19.FIL04</b>
<b>BUSHINGS</b>				
550A	Pump Body Bush (OEM) (Bush ID Requires Machining After Fitting)	All	1	<b>4HP20.BUS02</b>
550A	Pump Body Bush (Sonnax®) (Bush ID Requires Machining After Fitting)	All	1	<b>5HP19.BUS02</b>
550A	Pump Body Bush (Sonnax®) (Oversize OD Pump Body Requires Machining)	All	1	<b>5HP19.BUS01</b>
555D	Bushing, 'E' Clutch Rear (15mm OD x 12mm ID x 10.20mm)	All	1	<b>5HP19.BUS03</b>
556E	Bushing, Sun Gear Shaft (15mm OD x 12mm ID x 10.20mm)	All	1	<b>5HP19.BUS03</b>
<b>THRUST WASHERS &amp; BEARINGS</b>				
650A	Bearing Radial, Rear of Stator Support	All	1	<b>5HP19.TOR01</b>
654E	Bearing Radial, Sun Gear Shaft to Sun Gear Shell	All	1	<b>5HP19.BE04</b>
656E	Bearing Kit, Shaft to Carrier	All	1	<b>5HP18.TK05</b>
<b>ELECTRICAL COMPONENTS</b>				
Kit	Solenoid Set (All Solenoids)	All	1	<b>5HP19.SOL10</b>
700K	Solenoid (PWM)	All	3	<b>5HP19.SOL01</b>
701K	Solenoid Main Pressure Reg	All	1	<b>5HP19.SOL02</b>
702K	Solenoid Shift (On Off)	All	3	<b>5HP19.SOL03</b>
703K	Range Switch	All	1	<b>5HP19.ELE02</b>
704K	Speed Transmitter (Hall Effect)	All	1	<b>5HP19.ELE03</b>
705K	Speed Sensor (Inductive) (Fits on Valve Body)	All	1	<b>5HP18.ELE01</b>
706K	Valve Body Loom	All	1	<b>5HP19.ELE09</b>
<b>VALVE BODY PARTS</b>				
750A	Valve Sleeve (Fitted in Oil Pump)	All	1	<b>5HP19.VA01</b>
Kit	Pressure Regulator Valve (Late E18.2 Valve Body) (Requires Toolkit 5HP19.VA05) (Sonnax® <a href="#">Click Here for Info</a> )	All	1	<b>5HP19.VA04</b>
Kit	Toolkit for 5HP19.VA04 (Sonnax®)	All	1	<b>5HP19.VA05</b>
NI	Accumulator Piston (Fit in V. Body) ( 'E' & 'F' )	All	2	<b>5HP18.VA03</b>
NI	'F' Accumulator Spring (Codes 1060 000 004, 005, 006, 007, 008, 009, 010, 011)	All	1	<b>4HP14.SPR23</b>
NI	'E' Accumulator Spring (Codes 1060 000 004, 005, 006, 007, 008, 009, 010, 011)	All	1	<b>4HP14.SPR24</b>
NI	Accumulator Piston (Fits in V. Body) (Modified Plastic) ('A' & 'D')	All	1	<b>5HP24.ACC01</b>
NI	Valve Body Oil Screen	All	1	<b>5HP19.FIL04</b>

ILL NO.	DESCRIPTION	YEARS	QTY	PART NO
<b>HARDWARE</b>				
800A	Short Pump Assy	All	1	<b>5HP19.PUM02</b>
801G	'F' Clutch Cylinder (5 Plate) (Codes 1060 000 005, 006, 007, 009, 010, 011)	All	1	<b>5HP19.DRU04</b>
801G	'F' Clutch Cylinder (4 Plate) (Codes 1060 000 004 & 008)	All	1	<b>5HP19.DRU05</b>
802A	Pump Stator & Plate	All	1	<b>5HP19.SUP02</b>
803A	Pump Wear Plate	All	1	<b>5HP19.SP02</b>
809C	'A' Clutch Cylinder	All	1	<b>5HP19.DRU07</b>
812C	Retainer 'A' Clutch	All	1	<b>5HP19.RET01</b>
818E	Sun Gear Shaft	All	1	<b>5HP19.SH01</b>
819E	Drive Shell/Sun Gear (Fits 1060 000 007 Only)	All	1	<b>5HP19.POT01</b>
823E	Spider CL.Bell	All	1	<b>5HP19.PL01</b>
824F	Carrier & OWC Inner	All	1	<b>5HP19.OWC02</b>
825F	'D'/'G' Drum 5/3 Plates (Codes 1060 000 004 & 008)	All	1	<b>5HP18.DRU03</b>
825F	'D'/'G' Drum 6/4 Plates (Except Codes 1060 000 004 & 008)	All	1	<b>5HP18.DRU02</b>
829F	Piston 'G' Brake (alluminium)	All	1	<b>5HP19.PIS02</b>
832G	Piston 'F' Clutch	All	1	<b>5HP19.PIS01</b>
<b>SPECIAL ITEMS</b>				
900A	Washer - Oil Dam (Fits Behind T.C. Seal)	All	1	<b>5HP19.THW01</b>
901A	Sealing Tube (Pump Stator)	All	2	<b>5HP19.TU01</b>
NI	Repair Manual (OEM)	All		<b>5HP19.MAN01</b>
NI	Factory Repair Manual (ATSG)	All		<b>5HP19.MAN03</b>
NI	LifeGuardFluid5 x 1Ltr Bottle (Esso LT71141)	All	AR	<b>OIL.50</b>
NI	LifeGuardFluid5 x 20Ltr Canister (Esso LT71141)	All	AR	<b>OIL.51</b>
NI	LifeGuardFluid5 x 209Ltr Drum (Esso LT71141)	All	AR	<b>OIL.52</b>



THE AUTOMATIC TRANSMISSION PARTS WAREHOUSE