

# ZF 5HP19 HLA (PORSCHE) Code: 1060 060 xxx

## 5 SPEED AWD (Full Electronic Control)

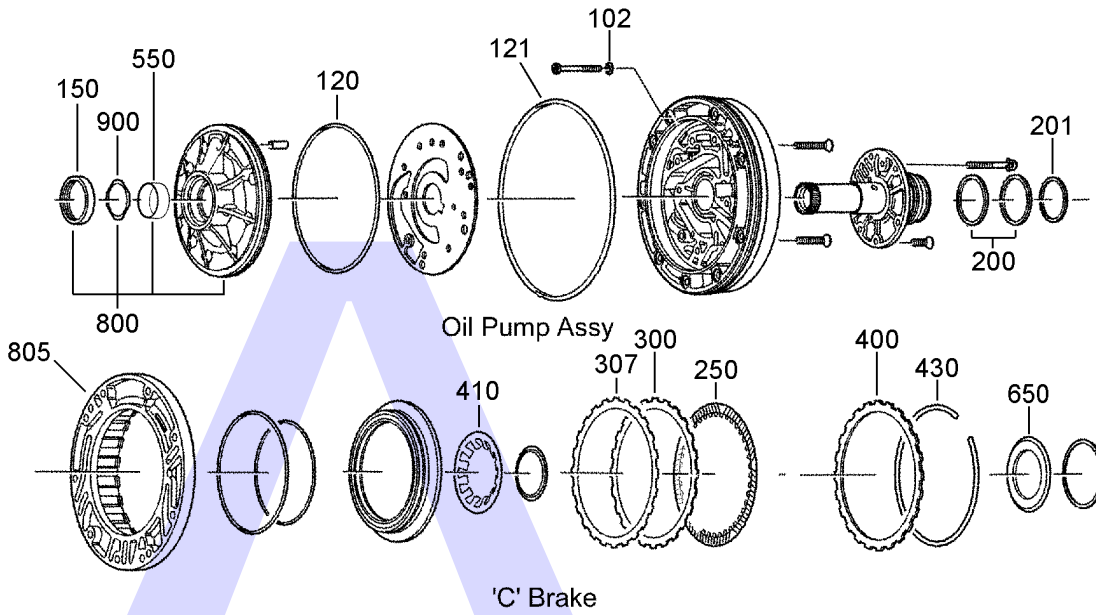


AUTOMATIC CHOICE



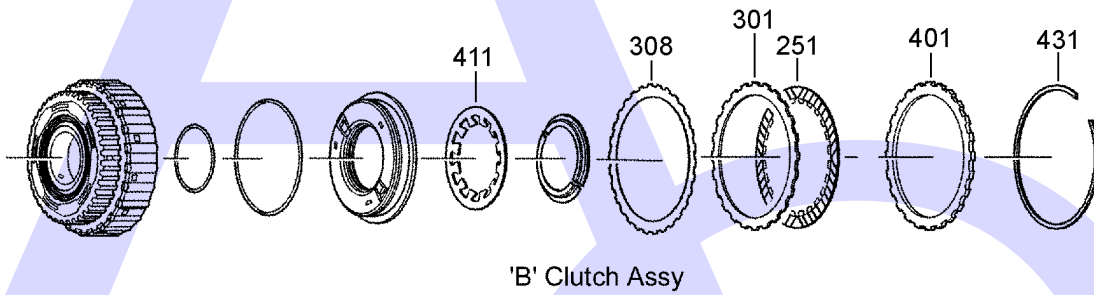
THE AUTOMATIC TRANSMISSION PARTS WAREHOUSE

**A**



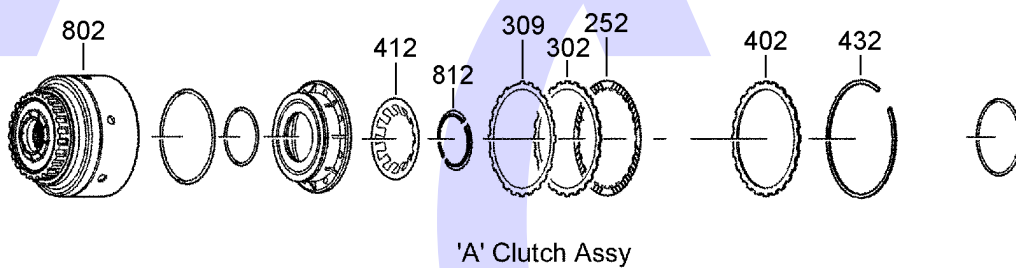
'C' Brake

**B**



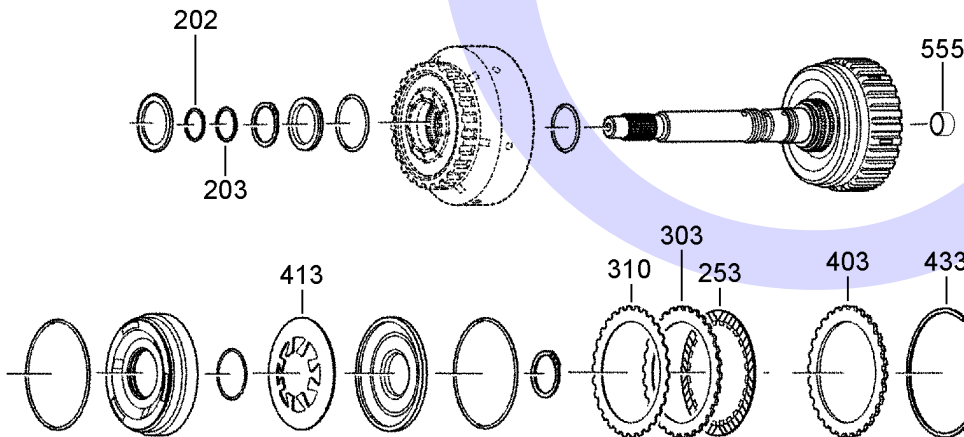
'B' Clutch Assy

**C**



'A' Clutch Assy

**D**



'E' Clutch Assy

# ZF 5HP19 HLA (PORSCHE) Code: 1060 060 xxx

## 5 SPEED AWD (Full Electronic Control)

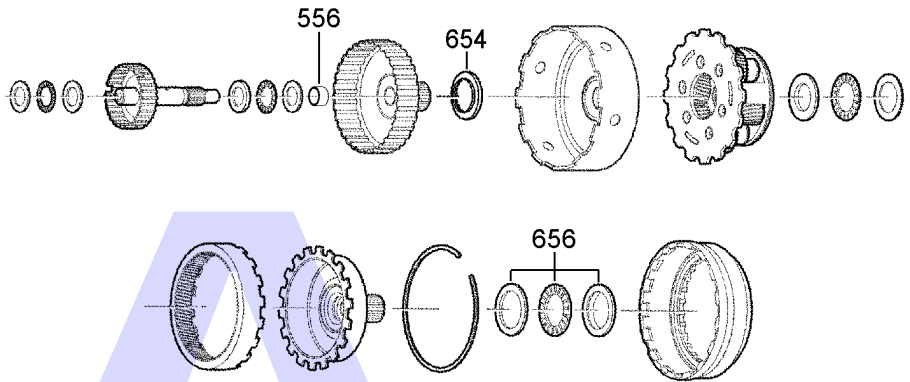


AUTOMATIC CHOICE



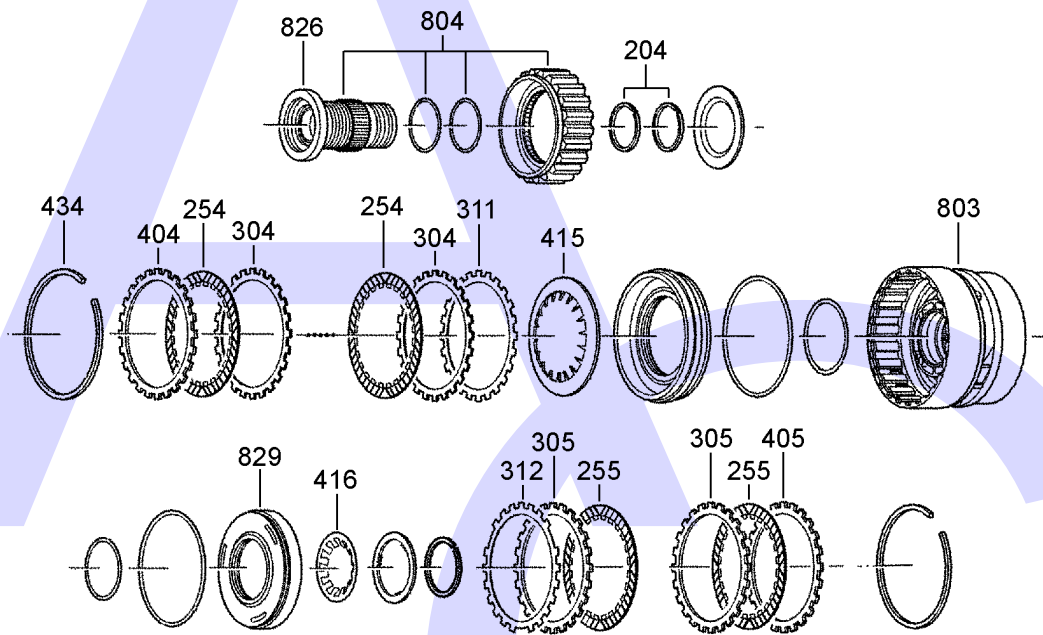
THE AUTOMATIC TRANSMISSION PARTS WAREHOUSE

E



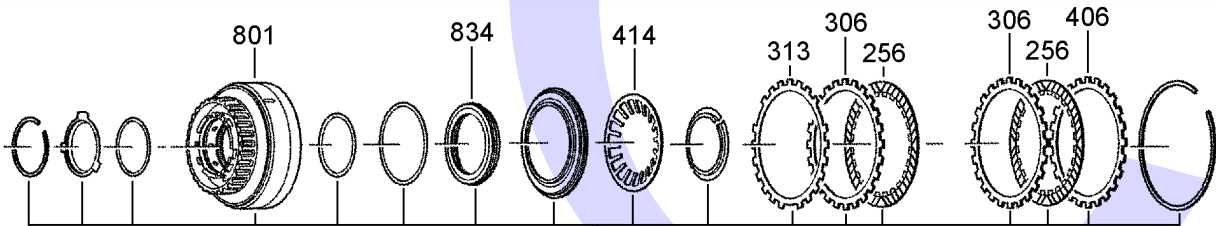
Front Planetary Assy

F



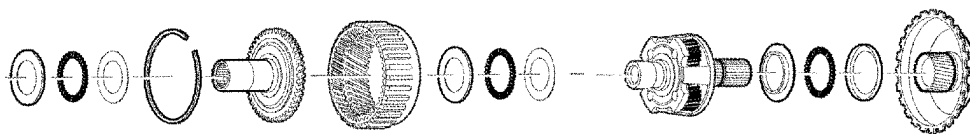
'D' & 'G' Brake Assy

G



'F' Brake Assy

H



Rear Planetary Assy

# ZF 5HP19 HLA (PORSCHE) Code: 1060 060 xxx

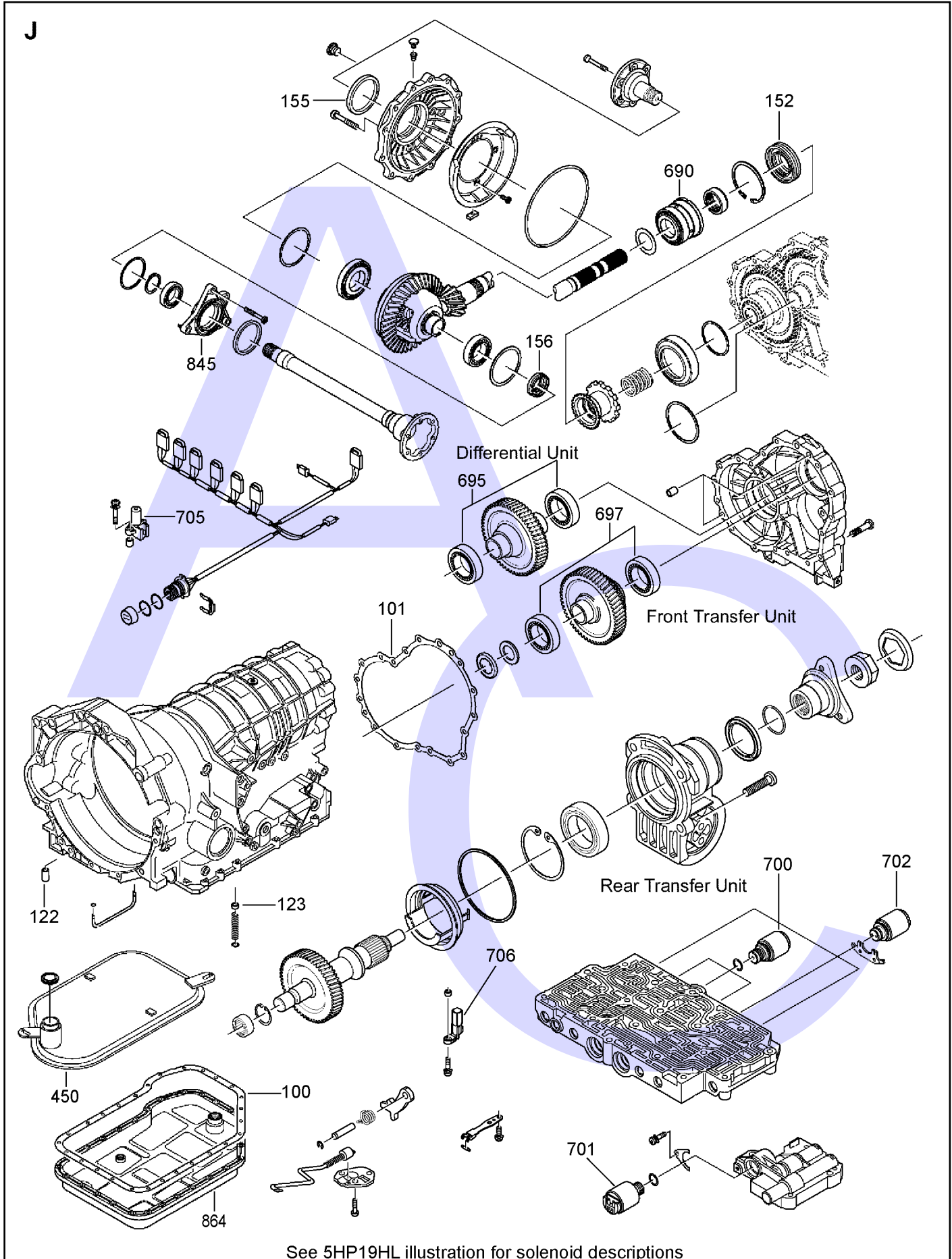
## 5 SPEED AWD (Full Electronic Control)



AUTOMATIC CHOICE



THE AUTOMATIC TRANSMISSION PARTS WAREHOUSE



# ZF 5HP19 HLA (PORSCHE) Code: 1060 060 xxx

## 5 SPEED AWD (Full Electronic Control)



AUTOMATIC CHOICE



THE AUTOMATIC TRANSMISSION PARTS WAREHOUSE

ILL NO.	DESCRIPTION	YEARS	QTY	PART NO
<b>KITS</b>				
Kit	Overhaul Kit (OEM) .....	All	1	<b>5HP19.OHK04</b>
Kit	Supplement Kit (Precision) (For Use With Standard Audi Kit) ..... All	All	1	<b>5HP19.OHK53</b>
<b>GASKETS</b>				
100J	Pan Gasket .....	All	1	<b>5HP19.GAS03</b>
101J	Transfer Case to Main Case.....	All	1	<b>5HP19.GAS07</b>
102A	Pump Bolt Sealing Washer.....	All	9	<b>5HP18.GAS04</b>
NI	Valve Body Gasket .....	All	1	<b>5HP19.GAS05</b>
<b>RUBBER COMPONENTS</b>				
120A	Pump to Stator 'O' Ring .....	All	1	<b>5HP19.OR01</b>
121A	Stator to Case 'O' Ring .....	All	1	<b>5HP19.OR03</b>
122J	V. Body to Case Sealing Rubber (Long) .....	All	5	<b>5HP19.RUB01</b>
123J	V. Body to Case Sealing Rubber (Short).....	All	3	<b>5HP19.RUB02</b>
<b>METAL CLAD SEALS</b>				
150A	Converter Seal.....	All	1	<b>4HP18.MCS01</b>
152J	Transfer Shaft Seal (37.50mm x 88mm x 16mm).....	All	1	<b>5HP19.MCS04</b>
155J	Left Hand Outer D. Shaft Seal (60mm x 80mm x 7.50mm).....	All	1	<b>5HP19.MCS07</b>
156J	Output Seal, Inner.....	All	1	<b>5HP19.MCS11</b>
NI	Selector Shaft Seal (10mm x 18mm x 5mm).....	All	1	<b>3HP22.MCS03</b>
<b>MOULDED PISTONS</b>				
<b>SEALING RINGS</b>				
200A	Stator Support (Large) .....	All	2	<b>5HP19.SSR01</b>
201A	Stator Support (Small) .....	All	1	<b>5HP19.SSR02</b>
202D	Input Shaft Front (Small).....	All	1	<b>5HP19.SSR03</b>
203D	Input Shaft Rear (Large) .....	All	1	<b>5HP18.SSR04</b>
204F	'D'/'G' Carrier.....	All	2	<b>5HP18.SSR06</b>
<b>FRICITION PLATES</b>				
Kit	Friction Kit .....	All	1	<b>5HP19.FRK02</b>
Kit	Friction Kit (Alto) .....	All	1	<b>5HP19.FRK51</b>
250A	'C' Brake .....	All	5	<b>5HP19.FRP02</b>
250A	'C' Brake (Alto).....	All	5	<b>5HP19.FRP53</b>
251B	'B' Clutch.....	All	2	<b>5HP19.FRP01</b>
251B	'B' Clutch (Alto) .....	All	2	<b>5HP19.FRP52</b>
252C	'A' Clutch.....	All	5	<b>4HP18.FRP03</b>
252C	'A' Clutch (Alto) .....	All	5	<b>5HP19.FRP51</b>
253D	'E' Clutch.....	All	5	<b>5HP19.FRP04</b>
253D	'E' Clutch (Alto) .....	All	5	<b>5HP19.FRP54</b>
254F	'D' Brake .....	All	5	<b>4HP18.FRP02</b>
254F	'D' Brake (Alto).....	All	5	<b>5HP19.FRP51</b>
255F	'G' Brake .....	All	4	<b>5HP18.FRP03</b>
255F	'G' Brake (Alto).....	All	4	<b>5HP19.FRP55</b>
256G	'F' Clutch .....	All	5	<b>5HP18.FRP03</b>
256G	'F' Clutch (Alto) .....	All	5	<b>5HP19.FRP55</b>

ILL NO.	DESCRIPTION	YEARS	QTY	PART NO
<b>STEEL PLATES</b>				
Kit	Steel Plate Kit .....	All	1	<b>5HP19.STK02</b>
Kit	Steel Plate Kit (Alto).....	All	1	<b>5HP19.STK51</b>
300A	'C' Brake .....	All	5	<b>4HP20.STP05</b>
301B	'B' Clutch.....	All	2	<b>5HP19.STP04</b>
302C	'A' Clutch.....	All	5	<b>5HP19.STP02</b>
303D	'E' Clutch.....	All	5	<b>5HP19.STP05</b>
304F	'D' Brake .....	All	6	<b>5HP19.STP02</b>
305F	'G' Brake .....	All	4	<b>5HP19.STP07</b>
306G	'F' Clutch .....	All	5	<b>5HP19.STP03</b>
307A	'C' Brake Waved Steel .....	All	1	<b>5HP19.STP10</b>
308B	'B' Clutch Waved Steel.....	All	1	<b>5HP19.STP11</b>
309C	'A' Clutch Waved Steel.....	All	1	<b>5HP18.STP04</b>
310D	'E' Clutch Waved Steel.....	All	1	<b>5HP19.STP13</b>
311F	'D' Brake Waved Steel.....	All	1	<b>5HP19.STP18</b>
312F	'G' Brake Waved Steel.....	All	1	<b>5HP19.STP17</b>
313G	'F' Clutch Waved Steel.....	All	1	<b>5HP19.STP17</b>
<b>PRESSURE PLATES</b>				
400A	Pressure Plate 'C' Brake (4.00mm) .....	All	1	<b>5HP19.PP01</b>
401B	Pressure Plate 'B' Clutch .....	All	1	<b>5HP19.PP02</b>
402C	Pressure Plate 'A' Clutch .....	All	1	<b>5HP19.PP03</b>
403D	Pressure Plate 'E' Clutch .....	All	1	<b>5HP19.PP04</b>
404F	Pressure Plate 'D' Brake.....	All	1	<b>5HP19.PP03</b>
405F	Pressure Plate 'G' Brake.....	All	1	<b>5HP19.PP06</b>
406G	Pressure Plate 'F' Brake .....	All	1	<b>5HP19.STP03</b>
<b>SPRINGS &amp; CIRCLIPS</b>				
410A	Diaphragm Spring 'C' Brake .....	All	1	<b>5HP19.DIA01</b>
411B	Diaphragm Spring 'B' Clutch.....	All	1	<b>5HP19.DIA02</b>
412C	Diaphragm Spring 'A' Clutch.....	All	1	<b>5HP19.DIA03</b>
413D	Diaphragm Spring 'E' Clutch.....	All	1	<b>5HP19.DIA04</b>
414G	Diaphragm Spring 'F' Clutch.....	All	1	<b>5HP19.DIA05</b>
415F	Diaphragm Spring 'D' Brake .....	All	1	<b>5HP19.DIA06</b>
416F	Diaphragm Spring 'G' Brake .....	All	1	<b>5HP19.DIA07</b>
430A	Circlip - 'C' Brake Retaining (2.80mm)		AR	<b>5HP19.CIR01</b>
430A	Circlip - 'C' Brake Retaining (2.60mm)		AR	<b>5HP19.CIR02</b>
430A	Circlip - 'C' Brake Retaining (2.40mm)		AR	<b>5HP19.CIR03</b>
430A	Circlip - 'C' Brake Retaining (2.20mm)		AR	<b>5HP19.CIR04</b>
430A	Circlip - 'C' Brake Retaining (2.00mm)		AR	<b>5HP19.CIR05</b>
430A	Circlip - 'C' Brake Retaining (1.80mm)		AR	<b>5HP19.CIR06</b>
430A	Circlip - 'C' Brake Retaining (1.60mm)		AR	<b>5HP19.CIR07</b>
430A	Circlip - 'C' Brake Retaining (1.40mm)		AR	<b>5HP19.CIR08</b>
431B	Circlip - 'B' Clutch Retaining (2.00mm)		AR	<b>5HP19.CIR09</b>
431B	Circlip - 'B' Clutch Retaining (1.80mm)		AR	<b>5HP19.CIR10</b>
431B	Circlip - 'B' Clutch Retaining (1.60mm)		AR	<b>5HP19.CIR11</b>
431B	Circlip - 'B' Clutch Retaining (1.40mm)		AR	<b>5HP19.CIR12</b>
431B	Circlip - 'B' Clutch Retaining (1.20mm)		AR	<b>5HP19.CIR13</b>
431B	Circlip - 'B' Clutch Retaining (1.00mm)		AR	<b>5HP19.CIR14</b>
432C	Circlip - 'A' Clutch Retaining (2.80mm)		AR	<b>5HP19.CIR15</b>
432C	Circlip - 'A' Clutch Retaining (2.60mm)		AR	<b>5HP19.CIR16</b>
432C	Circlip - 'A' Clutch Retaining (2.40mm)		AR	<b>5HP19.CIR17</b>
432C	Circlip - 'A' Clutch Retaining (2.20mm)		AR	<b>5HP19.CIR18</b>
432C	Circlip - 'A' Clutch Retaining (2.00mm)		AR	<b>5HP19.CIR19</b>
432C	Circlip - 'A' Clutch Retaining (1.80mm)		AR	<b>5HP19.CIR20</b>
432C	Circlip - 'A' Clutch Retaining (1.60mm)		AR	<b>5HP19.CIR21</b>
432C	Circlip - 'A' Clutch Retaining (1.40mm)		AR	<b>5HP19.CIR22</b>
432C	Circlip - 'A' Clutch Retaining (1.20mm)		AR	<b>5HP19.CIR23</b>
432C	Circlip - 'A' Clutch Retaining (1.00mm)		AR	<b>5HP19.CIR24</b>
433D	Circlip - 'E' Clutch Retaining (2.80mm)		AR	<b>5HP19.CIR25</b>
433D	Circlip - 'E' Clutch Retaining (2.60mm)		AR	<b>5HP19.CIR26</b>
433D	Circlip - 'E' Clutch Retaining (2.40mm)		AR	<b>5HP19.CIR27</b>
433D	Circlip - 'E' Clutch Retaining (2.20mm)		AR	<b>5HP19.CIR28</b>
433D	Circlip - 'E' Clutch Retaining (2.00mm)		AR	<b>5HP19.CIR29</b>

# ZF 5HP19 HLA (PORSCHE) Code: 1060 060 xxx

## 5 SPEED AWD (Full Electronic Control)



AUTOMATIC CHOICE

ILL NO.	DESCRIPTION	YEARS	QTY	PART NO
<b>SPRINGS &amp; CIRCLIPS</b>				
433D	Circlip - 'E' Clutch Retaining (1.80mm)		AR	<b>5HP19.CIR30</b>
433D	Circlip - 'E' Clutch Retaining (1.60mm)		AR	<b>5HP19.CIR31</b>
433D	Circlip - 'E' Clutch Retaining (1.50mm)		AR	<b>5HP19.CIR32</b>
433D	Circlip - 'E' Clutch Retaining (1.40mm)		AR	<b>5HP19.CIR33</b>
433D	Circlip - 'E' Clutch Retaining (1.20mm)		AR	<b>5HP19.CIR34</b>
433D	Circlip - 'E' Clutch Retaining (1.00mm)		AR	<b>5HP19.CIR35</b>
434F	Circlip - 'D' Brake Retaining (4.20mm)		AR	<b>5HP19.CIR36</b>
434F	Circlip - 'D' Brake Retaining (4.00mm)		AR	<b>5HP19.CIR37</b>

<b>FILTERS</b>				
450J	Filter, Oil Pick Up	All	1	<b>5HP19.FIL05</b>
NI	Valve Body Oil Screen	All	1	<b>5HP19.FIL04</b>

<b>BUSHINGS</b>				
550A	Pump Body Bush (OEM) (Bush ID Requires Machining After Fitting)	All	1	<b>4HP20.BUS02</b>
550A	Pump Body Bush (Sonnax®) (Bush ID Requires Machining After Fitting)	All	1	<b>5HP19.BUS02</b>
550A	Pump Body Bush (Sonnax®) (Oversize OD Pump Body Requires Machining)	All	1	<b>5HP19.BUS01</b>
555D	Bushing, 'E' Clutch Rear (15mm OD x 12mm ID x 10.20mm)	All	1	<b>5HP19.BUS03</b>
556E	Bushing, Sun Gear Shaft (15mm OD x 12mm ID x 10.20mm)	All	1	<b>5HP19.BUS03</b>

<b>THRUST WASHERS &amp; BEARINGS</b>				
650A	Bearing Radial, Rear of Stator Support	All	1	<b>5HP19.TOR02</b>
654E	Bearing Radial, Sun Gear Shaft to Sun Gear Shell	All	1	<b>5HP19.BE04</b>
656E	Bearing Kit, Shaft to Carrier	All	1	<b>5HP18.TK05</b>
690J	Pinion Bearing Assy	All	1	<b>5HP19.BE05</b>
695J	Bearing, Helical Gear (Front Transfer Unit) (Front & Rear)	All	2	<b>5HP19.BE06</b>
697J	Bearing, Pinnion Gear (Front Transfer Unit) (Front & Rear)	All	2	<b>5HP19.BE06</b>

<b>ELECTRICAL COMPONENTS</b>				
700J	Solenoid (PWM)	All	3	<b>4HP20.SOL02</b>
701J	Solenoid Main Pressure Reg	All	1	<b>5HP19.SOL04</b>
702J	Solenoid Shift (On Off)	All	3	<b>5HP30.SOL02</b>
705J	Speed Sensor (Inductive) (Fits on Valve Body)	All	1	<b>5HP18.ELE01</b>
706J	Speed Sensor (Inductive) (Fits on Casing)	All	1	<b>4HP20.ELE01</b>

ILL NO.	DESCRIPTION	YEARS	QTY	PART NO
<b>VALVE BODY PARTS</b>				
Kit	Pressure Regulator Valve (Early E17 Valve Body) (Requires Toolkit 5HP19.VA03) (Sonnax® <a href="#">Click Here for Info</a> )	All	1	<b>5HP19.VA06</b>
Kit	Toolkit for 5HP19.VA06 (Sonnax®)	All	1	<b>5HP19.VA03</b>
Kit	Pressure Regulator Valve (Late E18.2 Valve Body) (Requires Toolkit 5HP19.VA05) (Sonnax® <a href="#">Click Here for Info</a> )	All	1	<b>5HP19.VA04</b>
Kit	Toolkit for 5HP19.VA04 (Sonnax®)	All	1	<b>5HP19.VA05</b>
NI	Valve Body Oil Screen	All	1	<b>5HP19.FIL04</b>
NI	Encapsulated Plastic Ball Valve (Fit in Rear of Front Lower Valve Body)	All	1	<b>4HP22.VA01</b>
NI	'F' Accumulator Spring	All	1	<b>4HP14.SPR23</b>
NI	Housing, Valve Body Lower Front	All	1	<b>5HP19.VA02</b>

<b>HARDWARE</b>				
800A	Short Pump Assy	All	1	<b>5HP19.PUM01</b>
801G	'F' Clutch Cylinder (Modified *)	All	1	<b>5HP19.DRU04</b>
802C	'A' Clutch Cylinder (5Plate)	All	1	<b>5HP19.DRU03</b>
803F	'D'/'G' Cylinder (5/4 Plates)	All	1	<b>5HP19.DRU06</b>
804F	O.W.C. Assy 'D'/'G' Carrier	All	1	<b>5HP19.OWC01</b>
805A	'C' Brake Cylinder (5 Lined Plates)	All	1	<b>5HP19.DRU10</b>
812C	Retainer 'A' Clutch	All	1	<b>5HP19.RET01</b>
826F	Carrier & OWC Inner	All	1	<b>5HP19.OWC02</b>
829F	Piston 'G' Brake (alluminium)	All	1	<b>5HP19.PIS02</b>
834G	Piston 'F' Clutch	All	1	<b>5HP19.PIS01</b>
835G	'F' Clutch Assembly (Complete)	All	1	<b>5HP19.DRU09</b>
845J	Housing, L/H Axle Seal	All	1	<b>5HP19.COV02</b>
864J	Oil Pan	All	1	<b>5HP19.PAN001</b>

\* Modified Items May Require Replacement of Extra Components To Make Them Compatible With Existing Transmissions, Please Furnish Transmission Code and Ask Us To Check Compatibility

<b>SPECIAL ITEMS</b>				
900A	Washer - Oil Dam (Fits Behind T.C. Seal)	All	1	<b>5HP19.THW01</b>
NI	Repair Manual (OEM)	All		<b>5HP19.MAN02</b>
NI	Factory Repair Manual (ATSG)	All		<b>5HP19.MAN04</b>
NI	LifeGuardFluid5 x 1Ltr Bottle (Esso LT71141)	All	AR	<b>OIL.50</b>
NI	LifeGuardFluid5 x 20Ltr Canister (Esso LT71141)	All	AR	<b>OIL.51</b>
NI	LifeGuardFluid5 x 209Ltr Drum (Esso LT71141)	All	AR	<b>OIL.52</b>



THE AUTOMATIC TRANSMISSION PARTS WAREHOUSE